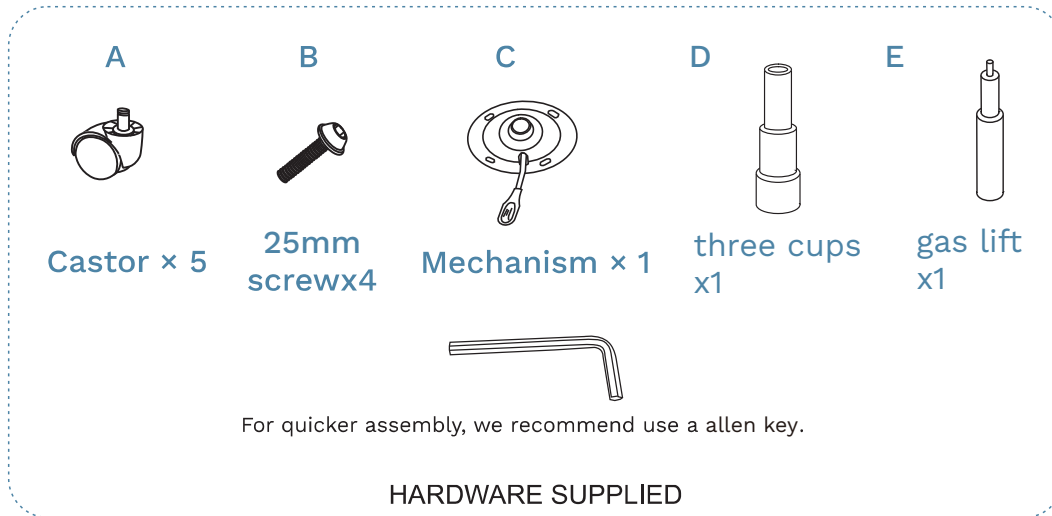


Barker Office Chair

Thank you for purchasing a Mocka Barker Office Chair. Please follow the manufacturer's assembly instructions in detail to ensure the safety features of the Chair is not compromised.



MATERIAL: Polyester

HARD TYRED CASTORS ARE UNSUITABLE FOR USE ON HARD FLOORS OR FIRM CHAIR MATS

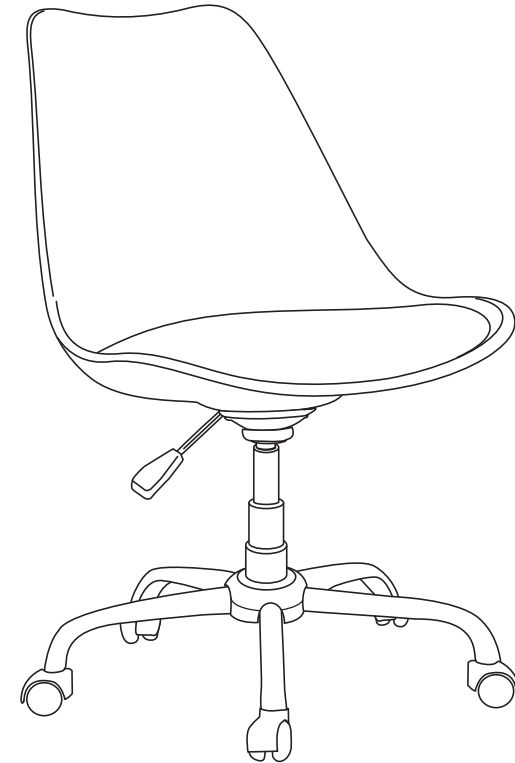
CARE INSTRUCTIONS

VACUUM REGULARLY WITH SOFT BRUSH ATTACHMENT
 REMOVE ALL LIQUID AND FOOD SPILLS IMMEDIATELY ONLY WITH A CLEAN, DAMP, UNDYED WHITE CLOTH
 DO NOT USE ABRASSIVES OR COMMON HOUSEHOLD DETERGENTS

WEIGHT LIMIT - 110 KGS

MADE IN CHINA

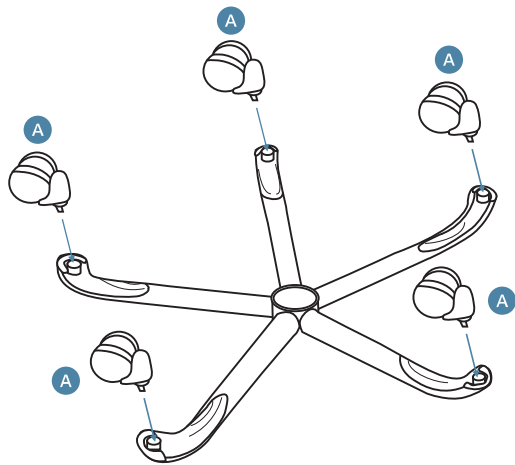
mocka.co.nz | mocka.com.au



Mocka.

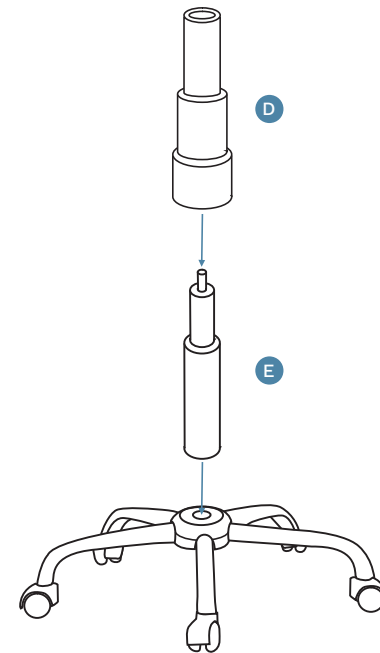
Barker Office Chair

1



Insert 5 × castors (A) into the base.

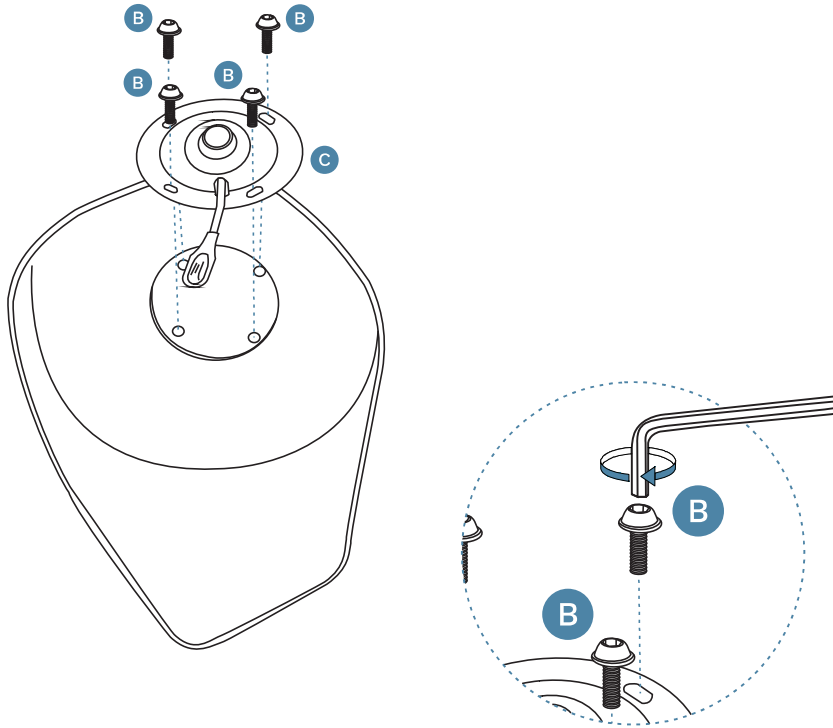
2



Insert 1 × gas lift (E) into the base, then insert 1 × three cups (D) into the base.

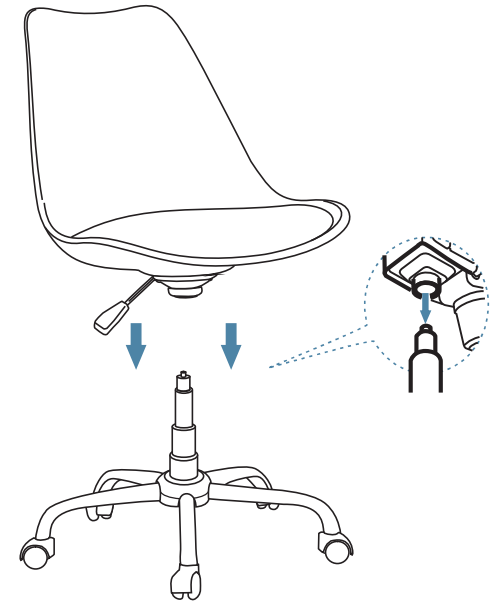
Barker Office Chair

3



Attach mechanism (C) to the seat with 4 × screws (B) , tighten with a allen key.

4

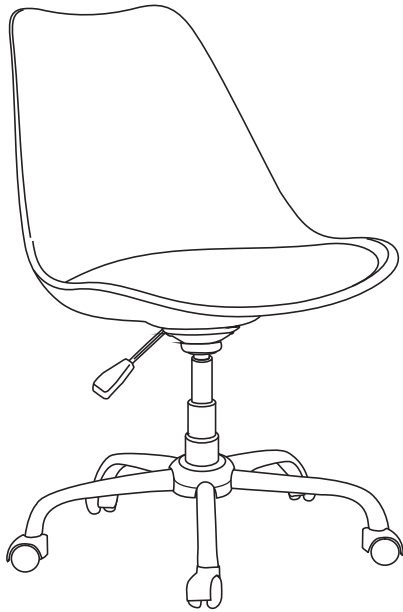


Attach the mechanism to the gas lift.

Barker

Office Chair

5



You`re done, enjoy!